

Modern and creative lighting for gardens, buildings, patios, conservatories, swimming pools, ornamental ponds, ponds, biotopes, etc.

High-power LED Megaspot



**WORLD PREMIERE**  
Swiss patent  
German utility model



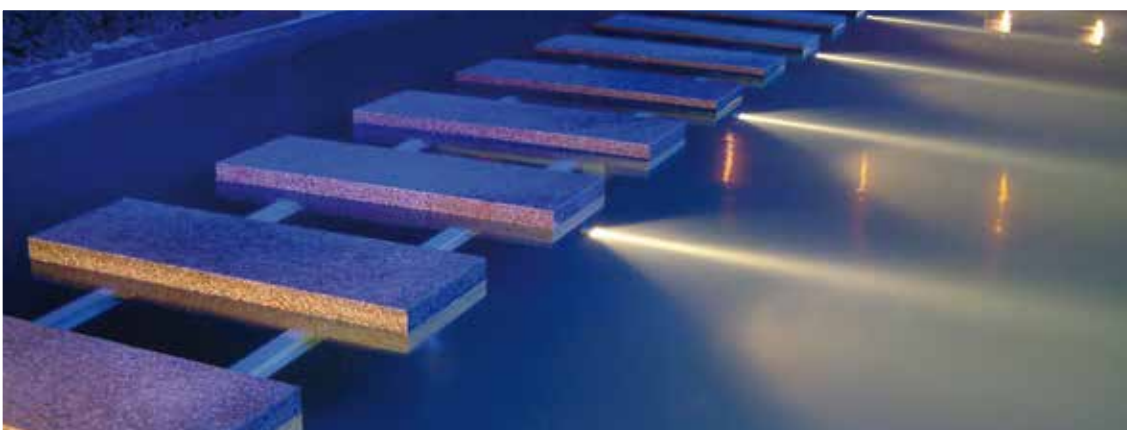
*Halogen Megaspot, mounted on ground spike with luminaire holder variably adjustable in height*

High-power LED RGBW multi-colour Megaspot

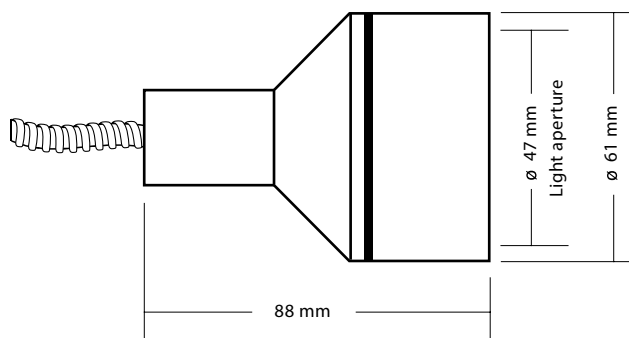


*staub control box  
80 watts*

- Most efficient and smallest luminaire of this type
- Quick and easy installation
- Unlimited application possibilities for indoor and outdoor lighting, above or below water, 100% waterproof and IP68 tested
- Cutting-edge, dimmable and temperature-controlled RGBW multi-colour technology with variable colour change, available in up to 16 million different colours, very easy to operate
- Thanks to our unrivalled, patented module technology, subsequent conversion from halogen to high-power LED lamps is possible at any time
- Extremely long lifespan (about 20 years at an average use of six hours per day), low power consumption and low heat generation with high-power LEDs
- All types of luminaires can be supplied individually, as a customised linear- or star-configured set with the cable length required. Nearly all **staub designlight** luminaires are combinable with one another



# 04 Megaspot



Halogen or high-power LED technology

### Standard design

V2A stainless steel; clear glass; supplied with 0.5 m silicone cable and 40 cm stainless steel rodent-proof corrugated conduit

### Special design

Warm light filter for even warmer light; frosted lens for diffused light; high-power LED cold white 5000 K; flush-mount design with flange for ornamental ponds, swimming ponds and pools, etc; V4A stainless steel; housing available in other colours upon request; luminaire housing in top quality plastic for high-concentration saline, sulphur, thermal and other aggressive waters

### Accessories (optional extras available, see pages 66–79)

Tube glare guard, honeycomb anti-glare louvre, dichroic filters; luminaire holder, ground spike, tree strap, base plate, brass plug, rodentproof braided hose, spanner, square tube, wireless remote control (see pages 62–65), mini motion detector, IR remote control for mini motion detector

### staub control box, 80 watts

With this newly developed 4-channel staub control box and 16 digital constant current sources, you can simultaneously control and variably dim up to 4 RGBW Megaspots/Honeycomb Spots. Analogue LED luminous flux prevents the occurrence of light smog and stroboscopic effect and blocks electromagnetic interference almost entirely. Fully automatic temperature setting for all channels. Control possible via iPhone, iPad, Android smartphone with touch screen and wireless remote control. Interface (Gateway) to staub control box for KNX, DALI and DMX

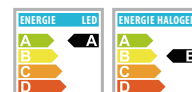
Technical data: system operating voltage: 90–305 VAC; frequency: 50/60 Hz; nominal power: 80 watts  
Output: 4 channels with 4 outputs each; output voltage range: 2 VDC–22 VDC; ambient temperature range: -20°C to 40°C  
Ingress protection class: IP65; external dimensions: 400 x 300 x 140 mm (LxWxH)

Halogen technology	Item no.
Megaspot 12 volt AC, 35 watts, 10°, narrow beam	20.166002
Megaspot 12 volt AC, 35 watts, 36°, wide beam	20.166003
Megaspot 12 volt AC, 35 watts, 60°, wide beam	20.166010
Megaspot 12 volt AC, 50 watts, 10°, narrow beam	20.166004
Megaspot 12 volt AC, 50 watts, 24°, medium beam	20.166012
Megaspot 12 volt AC, 50 watts, 36°, wide beam	20.166005
Megaspot 12 volt AC, 50 watts, 60°, wide beam	20.166011
High-power (HP) LED technology	
Megaspot 12 volt AC, 9 watts, 14°, warm white, narrow beam	20.166014
Megaspot 12 volt AC, 9 watts, 20°, warm white, medium beam	20.166015
Megaspot 12 volt AC, 9 watts, 40°, warm white, wide beam	20.166008
Megaspot 24 volt DC, 13 watts, 40°, RGBW, 681 lm*, wide beam	20.166016
staub control box, 80 watts, 24 volt DC, IP65, to operate max. 4 RGBW Megaspots	20.699300

\*LED neutral white for 4000 K



staub designlight  
Temperature-controlled high-power LED module



⚠ Subject to change! Please see our safety instructions and Standard Terms!