

Modern and creative lighting of floors, ceilings, paths or walls for gardens, patios, buildings, swimming pools, ponds, kitchens, bathrooms, living rooms, etc.

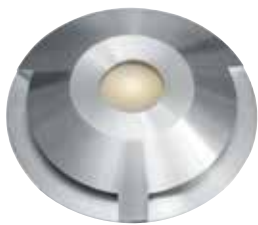
LED effect Angle Spot, blue, 1 aperture



WORLD PREMIERE
Swiss patent
German utility model

*Angle Spot 230°, high-power LED
with aluminium heat sink*

Halogen Angle Spot, 2 apertures

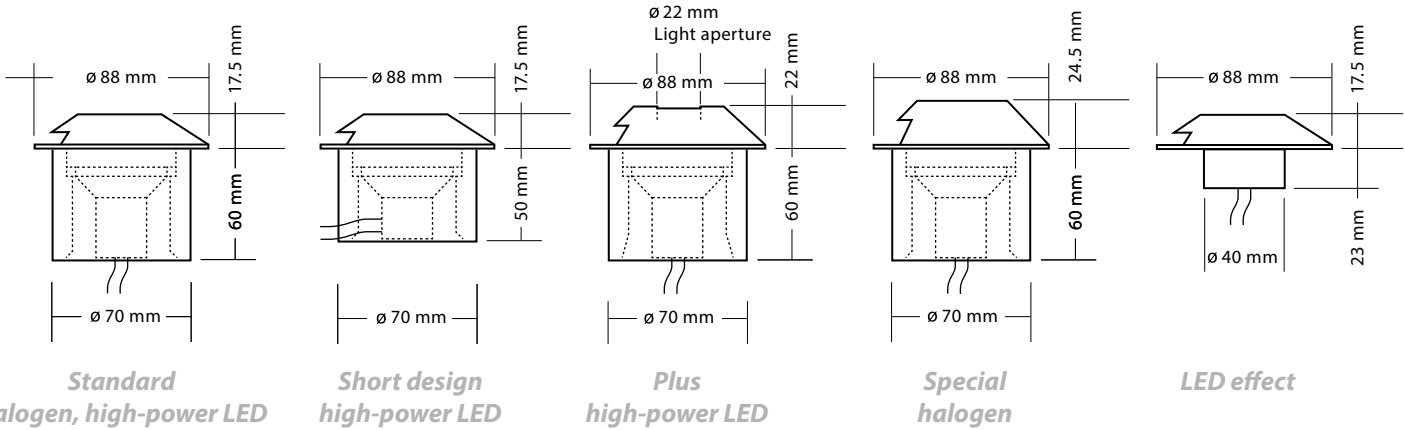


Angle Spot Plus, 230°

- Quick and easy installation with ball catch
- Unlimited application possibilities for indoor and outdoor lighting, above or below water, 100% waterproof and IP68 tested
- Available in 12 volt halogen, LED effect or high-power LED technology (replaceable high-power LED modules)
- Thanks to our unrivalled, patented module technology, subsequent conversion from halogen to high-power LED lamps is possible at any time
- Extremely long lifespan (about 20 years at an average use of six hours per day), low power consumption and low heat generation with high-power LEDs
- All types of luminaires can be supplied individually, as a customised linear- or star-configured set with the cable length required. Nearly all **staub designlight** luminaires are combinable with one another



07 Angle Spot



Standard design

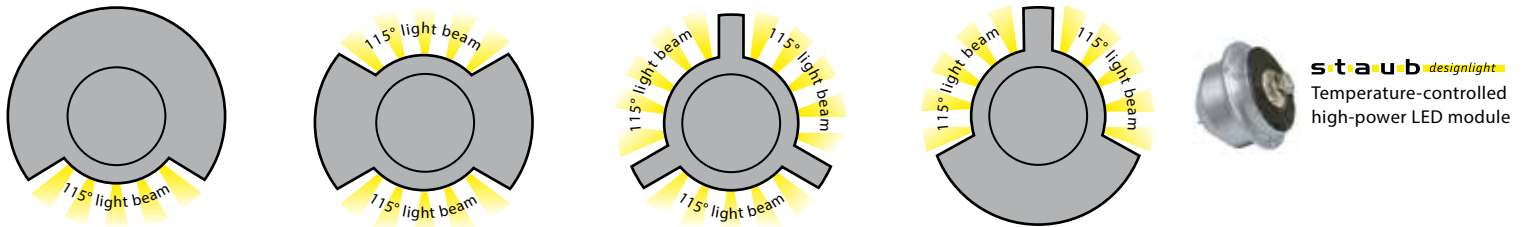
V2A stainless steel; with aluminium heat sink (only for halogen and high-power LED) and new, quick to mount ball catch (only for halogen and high-power LED); supplied with 0.5 m silicone cable; without fixing holes

Special design

High-power LED/LED effect: cold white 5000 K; warm light filter for even warmer light; top plate with fixing holes; upper part of "Angle Spot Plus" with frosted lens or clear glass for additional light output at the top; short overall length with lateral cable output; V4A stainless steel; housing available in other colours upon request

Accessories (optional extras available, see pages 66–79)

Mounting tube, mounting case to be set in concrete in walls and floors, spanner, stainless steel glare guard for "Plus" design, wireless remote control (see pages 62–65), mini motion detector, IR remote control for mini motion detector



IP68	V2A Stainless steel	1 m	2700 K HP LED	2700 K LED effect	2800 K Halogen	4'000 h Halogen	50'000 h HP LED
100'000 h LED effect	Dimmable	Environment max. 40°C LED effect	230 V/12 V Transformer	CE	NTC Control	ENERGIE LED A B C D	ENERGIE HALOGEN A B C D



⚠ Subject to change! Please see our safety instructions and Standard Terms!

Modern and creative lighting of floors, ceilings, paths or walls for gardens, patios, buildings, swimming pools, ponds, kitchens, bathrooms, living rooms, etc.

Halogen technology	Item no.
Angle Spot 1 aperture, 12 volt AC, 20 watts, with aluminium heat sink	20.164002
Angle Spot 2 apertures, 12 volt AC, 20 watts, with aluminium heat sink	20.164003
Angle Spot 3 apertures, 12 volt AC, 20 watts, with aluminium heat sink	20.164004
Angle Spot 230°, 12 volt AC, 20 watts, with aluminium heat sink	20.164005
Angle Spot 1 aperture, 12 volt AC, 35 watts, with aluminium heat sink	20.164016
Angle Spot 2 apertures, 12 volt AC, 35 watts, with aluminium heat sink	20.164017
Angle Spot 3 apertures, 12 volt AC, 35 watts, with aluminium heat sink	20.164018
Angle Spot 230°, 12 volt AC, 35 watts, with aluminium heat sink	20.164019
Angle Spot Special 1 aperture, 12 volt AC, 35 watts, with aluminium heat sink	20.164050
Angle Spot Special 230°, 12 volt AC, 35 watts, with aluminium heat sink	20.164051
High-power (HP) LED technology	
Angle Spot 1 aperture, 12 volt AC, 3 watts, warm white, with aluminium heat sink	20.658052
Angle Spot 2 aperture, 12 volt AC, 3 watts, warm white, with aluminium heat sink	20.668052
Angle Spot 3 apertures, 12 volt AC, 3 watts, warm white, with aluminium heat sink	20.678052
Angle Spot 230°, 12 volt AC, 3 watts, warm white, with aluminium heat sink	20.688052
LED effect technology	
Angle Spot 1 aperture, 12 volt AC, 0.5 watts, 5 LEDs, warm white	20.658053
Angle Spot 1 aperture, 12 volt AC, 0.5 watts, 5 LEDs, blue	20.658051
Angle Spot 2 apertures, 12 volt AC, 1 watt, 10 LEDs, warm white	20.668053
Angle Spot 2 apertures, 12 volt AC, 1 watt, 10 LEDs, blue	20.668051
Angle Spot 3 apertures, 12 volt AC, 1.5 watts, 15 LEDs, warm white	20.678053
Angle Spot 3 apertures, 12 volt AC, 1.5 watts, 15 LEDs, blue	20.678051
Angle Spot 230°, 12 volt AC, 1 watt, 10 LEDs, warm white	20.688053
Angle Spot 230°, 12 volt AC, 1 watt, 10 LEDs, blue	20.688051
Additional items as per price list	



⚠ Subject to change! Please see our safety instructions and Standard Terms!

