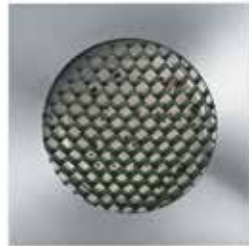


High-power LED Skyspot 10

Modern and creative lighting of floors, paths or walls for gardens, patios, buildings, swimming pools, ponds, etc.

High-power LED Skyspot, round



High-power LED Skyspot, square



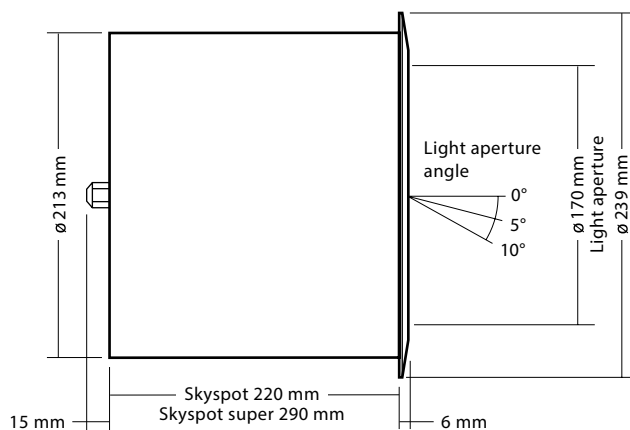
The ultimate
LIGHT POWER PLANT

High-power LED Skyspot

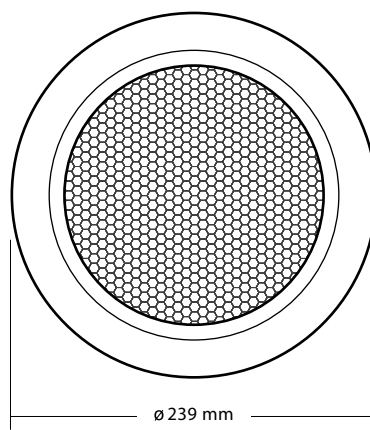
- Most efficient and smallest luminaire of this type with 40-watt or 60-watt high-power LED. This is equivalent to a 230-watt or 340-watt halogen bulb
- Unlimited application possibilities for indoor and outdoor lighting above or below water, 100% waterproof and IP68 tested
- Quick and easy installation
- Light beam angles adjustable in luminaire housing to 0°, 5° or 10° position
- Cutting-edge, dimmable high-power LED light technology with temperature control
- Extremely long lifespan (about 50,000 h), low power consumption and low heat generation
- All types of luminaires can be supplied individually or as a star-configured set with the cable length required



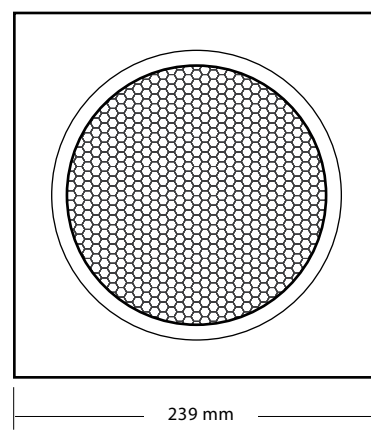
10 High-power LED Skyspot



High-power LED technology



Round top plate



Square top plate



Standard design

V2A stainless steel; clear glass; honeycomb anti-glare louvre; 40-watt/60-watt high-power LED; 5° beam angle from housing top; 38° (medium beam); warm white 2700 K; dimmable; round top plate; without fixing holes; supplied with 50 cm rubber cable

Special design

0° or 10° beam angle from housing top; square top plate; without honeycomb anti-glare louvre; other light beam angles of 10° and 60°; cold white 5000 K; blue; V4A stainless steel; housing available in other colours upon request

Accessories (optional extras available, see pages 67–79)

Mounting tube, mounting case, warm light filter, frosted lens, wireless remote control (see pages 62–65), mini motion detector, IR remote control for mini motion detector

staub control box, 480 watts

With this newly developed 4-channel staub control box and 16 digital constant current sources, you can simultaneously control and variably dim up to 4 Skyspots. Analogue LED luminous flux prevents the occurrence of light smog and stroboscopic effect and blocks almost all electromagnetic interference. Fully automatic temperature setting for all channels. Control possible via iPhone, iPad, Android smartphone with touch screen and wireless remote control. Interface (Gateway) to staub control box for KNX, DALI and DMX.

Technical data: system operating voltage: 90 – 305 VAC, frequency: 50/60 Hz; nominal power: 480 watts

Output: 4 channels with 4 outputs each; output voltage range: 2 VDC – 22 VDC; ambient temperature range: -20°C to 40°C

Ingress protection class: IP65; external dimensions: 400 x 300 x 140 mm (LxWxH)

High-power (HP) LED technology	Item no.
Skyspot 24 volt DC, 40 watts, warm white, 3825 lm, 38°, medium beam	20.699000
Skyspot super 24 volt DC, 60 watts, warm white, 5735 lm, 38°, medium beam	20.699001
staub control box, 480 watts, 24 volt DC, IP65, to operate max. 4 Skyspots	20.699200



staub control box
480 watts



⚠ Subject to change! Please see our safety instructions and Standard Terms!